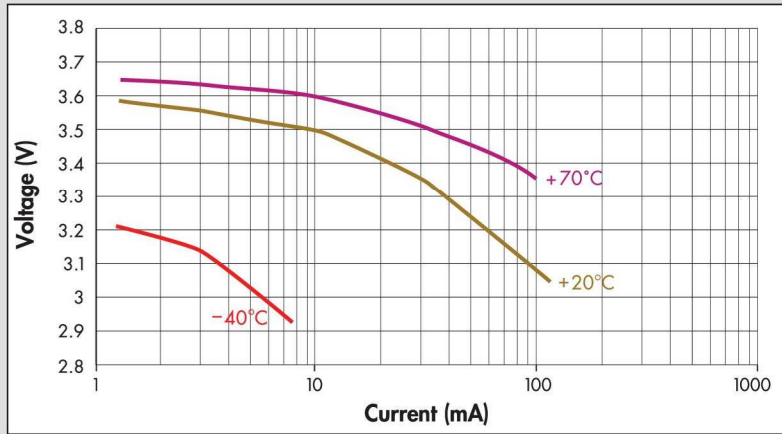
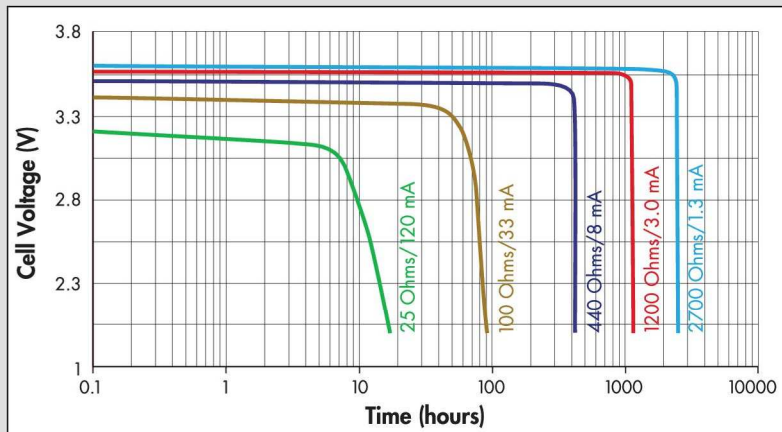


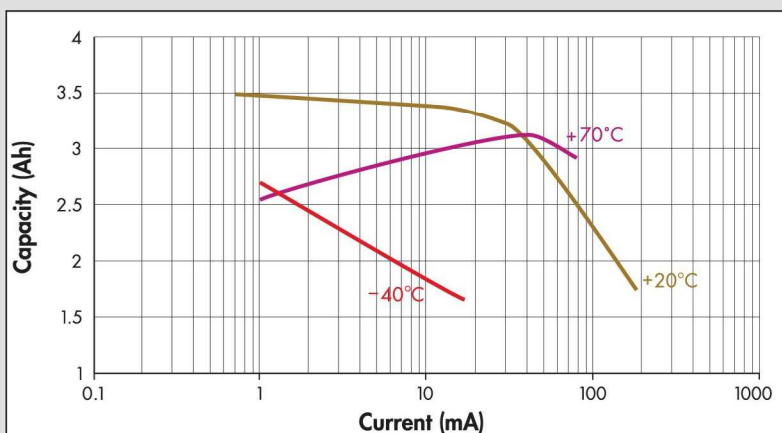
Voltage plateau versus Current and Temperature (at mid-discharge)



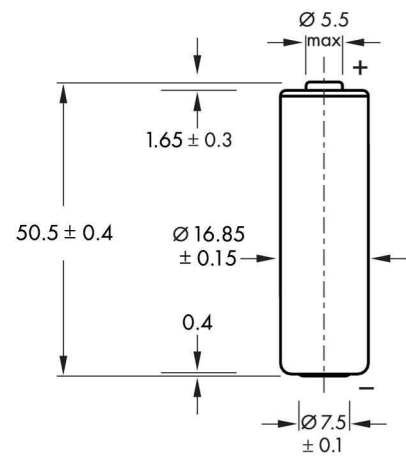
Typical discharge profiles at +20°C



Restored Capacity versus Current and Temperature (2 V cut off)



LS 17500



dimensions in mm



12, rue Sadi Carnot
93170 Bagnole - France
Tel +33 1 49 93 17 25
Fax +33 1 49 93 19 69
www.safbatteries.com

Doc. N° 31029-2-1003
Published by the Communications Department

Information in this document is subject to change without notice and becomes contractual only after written confirmation by Saft.