

# MODEL TL-5934

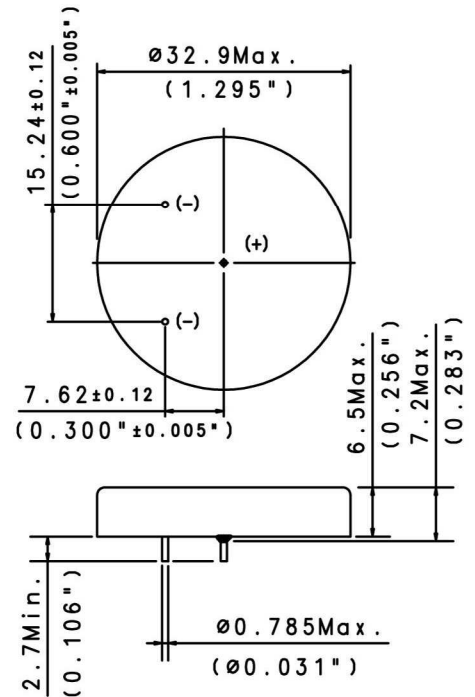
International size reference: 1/10D, ER32L65

## TECHNICAL DATA

(Typical values @+25°C for batteries stored for one year or less)

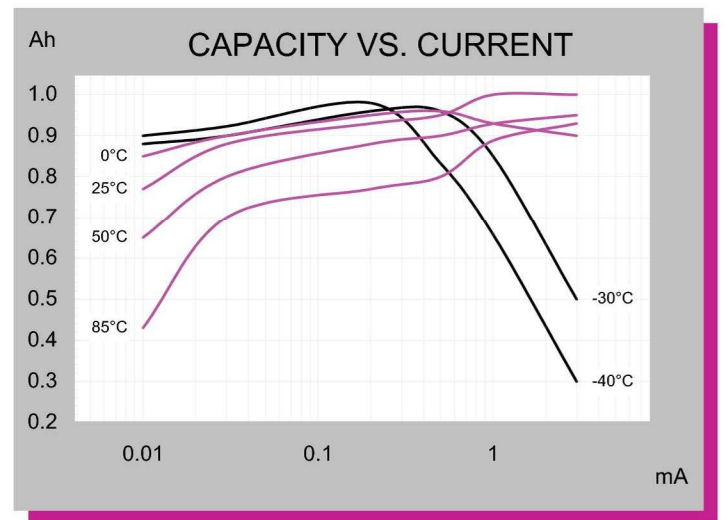
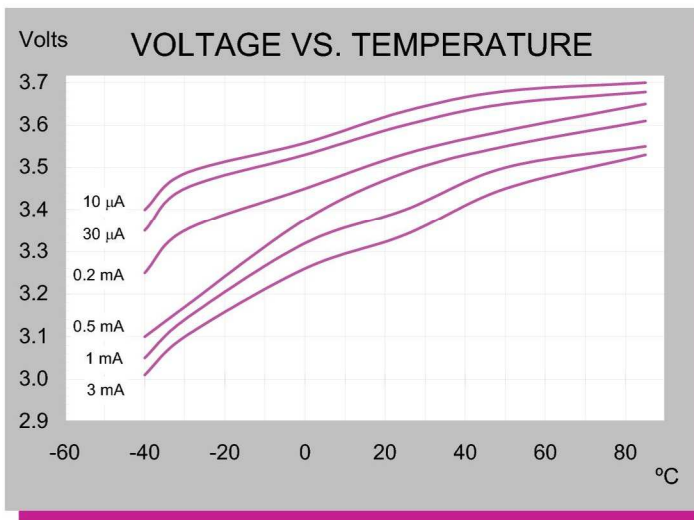
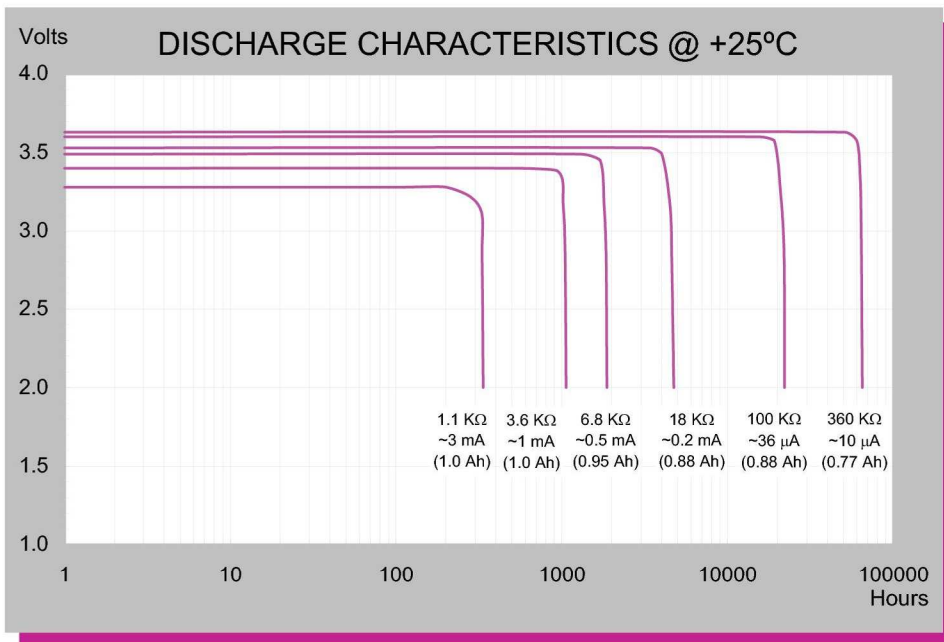
- Nominal capacity @ 1 mA, to 2V 1 Ah
- Rated voltage 3.6 V
- Maximum recommended continuous current 10 mA
- Maximum pulse current capability 50 mA
- Weight 16.3 g (0.57 oz)
- Volume 5.2 cc
- Operating temperature range -55°C to +85°C
- Li metal content approx. 0.3 g
- U.L. Component Recognition, MH 12193

**TADIRAN**  
**LITHIUM**  
**BATTERIES**



### ORDERING NO.

TERMINAL MATERIAL : TIN PLATED NICKEL  
CATALOGUE NO. : 15-5934-41500



**iXtra - Long Term High Performance**

Note: Any presentations in this data sheet concerning performance are for information purpose only and are not construed as warranties either expressed or implied, of future performance. ECN 1501879 Rev. B 11/08